

Warning & Attention

1. Before getting started, read these instructions and save them for later reference.
2. Turn off the POS Terminal before cleaning. Clean with dry cloth only. Do not spray any liquid cleaner directly on the screen.
3. The power outlet socket used to plug in power cord must be located near the system and easily accessible.
4. Make sure the voltage of the power source is set correctly before connecting the POS Terminal to power outlet.
5. If the POS Terminal shares an extension cord with other devices, make sure the total loading of the devices plugged into the extension cord does not exceed the extension cord's maximum loading.
6. Do not expose the power cord, extension cord and power outlet to moisture or traffic intensive walkways.
7. Install the POS Terminal on a sturdy and reliable surface to prevent damage caused by dropping.
8. The operating system must be first loaded before installing any software into the POS Terminal.
9. Disconnect the power cord from the POS terminal before any installation of internal components. Make sure both the POS terminal and the external devices are turned off. A sudden surge of power may damage sensitive components. Also make sure the POS terminal is properly grounded.
10. During installation of any internal components, be sure to ground yourself and discharge any static electricity. Most electronic components are highly sensitive to static electric charge. Use a grounding wrist strap and place all electronic components in any static-shielded devices. If a wrist-grounding strap is not available, ground yourself by touching an unpainted piece of metal.
11. The openings on the POS Terminal enclosure are for the cabin ventilation to prevent the POS terminal from overheating. **DO NOT COVER THE VENTILATION OPENINGS.**
12. The brightness of the flat panel display will decrease after using over long periods of time. However, hours of use will vary depending on the application environment.
13. If the POS Terminal is equipped with a touch panel, avoid using sharp or metallic objects to operate the touch panel. Scratches on the touch panel may cause mal-calibration or serious damage to the panel.
14. The LCD panel display is not resistive to shock or vibration. When disassembling the POS Terminal, make sure the LCD panel is properly and securely installed.

Technical Support

1. To enter the **Boot Menu**, press **F10**.
2. To set CMOS default, press **F2** to enter **CMOS setting** and load optimized defaults
3. Refer to **User Manual** for other technical information and FAQs. If the problems are not resolved, contact your local vendor for further support and provide them with the information below: **product name, product serial number, and detailed description of your problem.**

ZPKMU-00165

Safety notices

⚠ Before You Proceed

- Read safety notice and User Manual carefully before using the product.
- Keep the box and packaging in case the product needs to be shipped in the future.
- Follow the product and warning label instructions.
- Any changes or modifications that do not follow the instructions in this manual will void this product's warranty.

⚠ Power Supply Safety Notice

- To avoid electric shocks, disconnect the power cord from the electrical outlet before relocating the system.
- Make sure the voltage of the power outlet conforms within voltage range of the terminal. Failure to comply may cause the electric shock or damage to the terminal. If you are not sure of the electricity voltage that you are using, contact your local electricity company.
- To avoid fire or electric shocks, do not overload electric power outlets.
- Protect the power cord from being walked on or pinched particularly at plug, convenience receptacles, and the point where they exit from the apparatus.

NOTICE

The version of these drivers and manuals is subject to change without notice. For update, please contact your local agent.

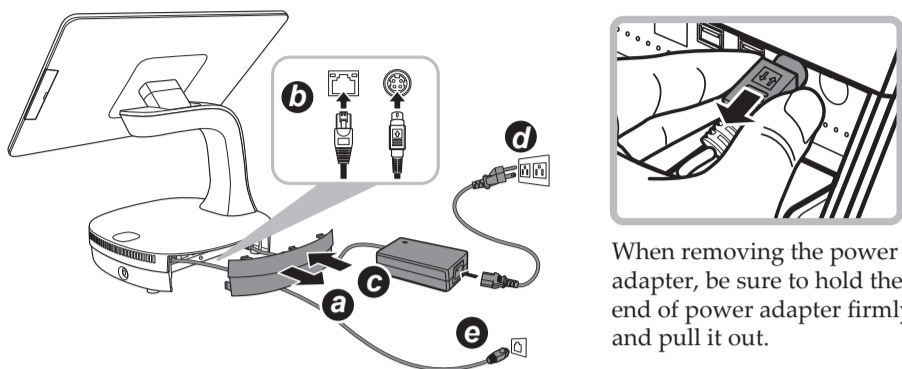


ARC Series

Quick Installation Guide V1.0

Installing the Power Cord, Power Adapter, and Network Cable

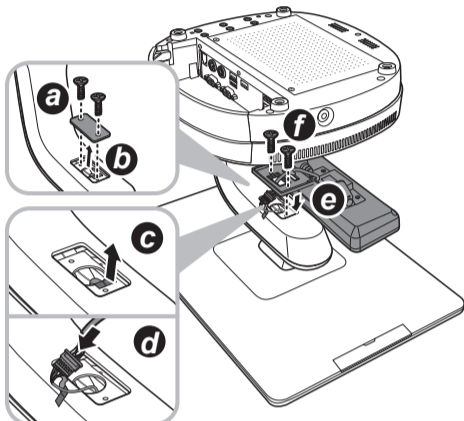
1. Remove the connectors cover. (a)
2. Connect the network cable to the LAN port. Then connect the power adapter to the DC IN jack. (b)
3. Align and install the connectors cover. Make sure to push the connectors cover firmly until it clicks into place. (c)
4. Connect the power adapter to the power cord. Then plug the other end of the power cord to an electrical outlet. (d)
5. Connect the network cable to connect to a hub or switch. (e)



When removing the power adapter, be sure to hold the end of power adapter firmly and pull it out.

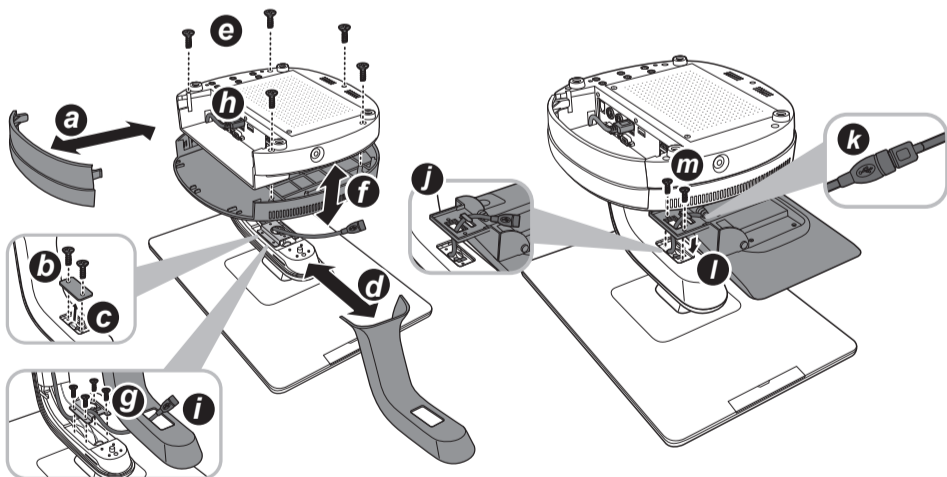
Installing the Customer Display (Optional)

1. Place the Touch Terminal on a soft and flat surface, with the LCD panel facing down. Then adjust the stand to full upright position.
2. Remove the two screws securing the dummy cover on the stand arm. (a)
3. Remove the dummy cover. (b)
4. Pull the tab to reveal the cable connector. (c)
5. Connect the customer display's interface cable to the cable connector. (d)
6. Push the revealing parts of the connected cables into the cable compartment. (e)
7. Align the screw holes of the customer display bracket with the screw holes on the stand. Then secure the customer display to the Touch Terminal with the two screws. (f)



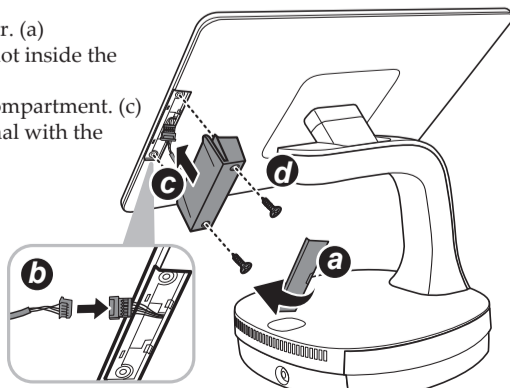
Installing the Secondary LCD Display (Optional)

1. Remove the connectors cover. (a)
2. Place the Touch Terminal on a soft and flat surface, with the LCD panel facing down. Then adjust the stand to full upright position.
3. Remove the two screws securing the dummy cover on the stand arm. (b)
4. Remove the dummy cover. (c)
5. Remove the stand arm cover. (d)
6. Remove the five screws securing the bottom of the stand. (e)
7. Remove the top stand cover. (f)
8. Remove the four screws securing the bracket to the stand arm. Then remove the bracket. (g)
9. Connect one end of the USB extension cable to the USB port of the Touch Terminal. (h)
10. Route the USB extension cable through the hole on the bottom of the stand, and the other end through the hole on the bracket and stand arm. Make sure to leave at least 10 cm of excess cable for easy cable routing and connection. (i)
11. Secure the bracket with the four screws. (g)
12. Install the top stand cover. (f)
13. Secure the bottom of the stand with the five screws. (e)
14. Align and install the connectors cover firmly until it clicks into place. (a)
15. Align the stand arm cover, and then push the stand arm cover inward until it is fully seated. (d)
16. Route the secondary LCD display's interface cable through the cable clip on the bracket. Then push the revealing parts on the connected cables into the cable compartment. (j)
17. Connect the secondary LCD display's USB cable to the extension USB cable connector. (k)
18. Align the screw holes of the secondary LCD display bracket with the screw holes on the stand. (l)
19. Secure the secondary LCD display to the Touch Terminal with the two screws. (m)



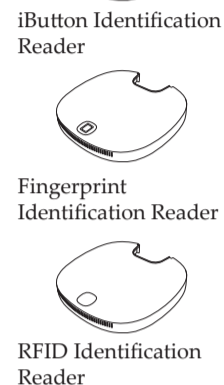
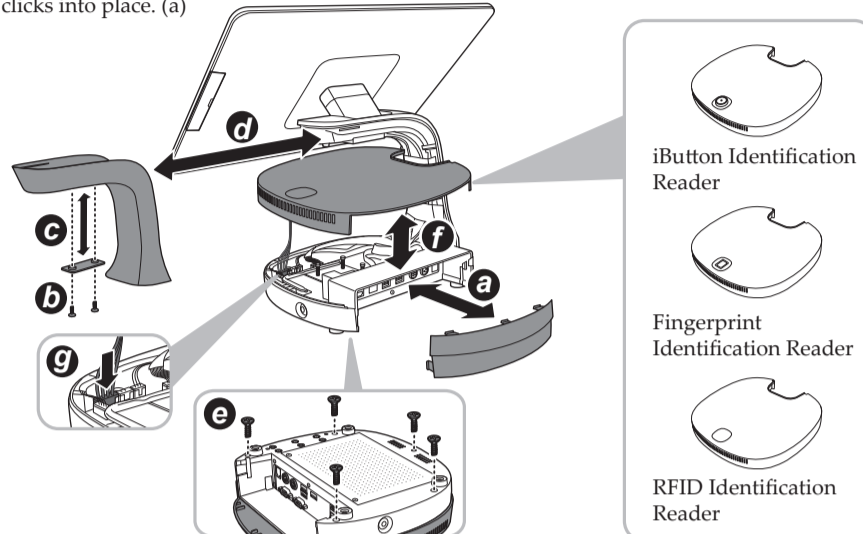
Installing the Magnetic Stripe Reader (MSR) (Optional)

1. Remove the MSR module compartment cover. (a)
2. Firmly connect the MSR connector into the slot inside the compartment. (b)
3. Align and install the MSR module onto its compartment. (c)
4. Secure the MSR module to the Touch Terminal with the two screws. (d)



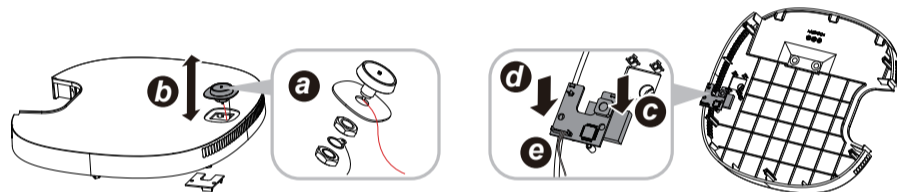
Installing the Identification Reader (Optional)

1. Remove the connectors cover. (a)
2. Remove the screws securing the dummy cover on the stand arm. (b)
3. Remove the dummy cover. (c)
4. Remove the stand arm cover. (d)
5. Place the Touch Terminal on a soft and flat surface, with the LCD panel facing down. Then adjust the stand to full upright position.
6. Remove the five screws securing the bottom of the stand. (e)
7. Carefully flip the Touch Terminal back and remove the top stand cover. (f)
- Tips: To install the reader module to the top stand cover, see the instruction on page 38-39.
8. Firmly connect the identification reader cable to the mainboard connector. (g)
9. Align and install the identification reader. (f)
10. By holding the top of the identification reader with one hand, carefully flip the Touch Terminal again, with the LCD panel facing down. Then adjust the stand to full upright position.
11. Secure the bottom of the stand using the five screws. (e)
12. Align the stand arm cover, and then push the stand arm cover inward until it is fully seated. (d)
13. Install the dummy cover. (c)
14. Secure the dummy cover to the stand arm using the two screws. (b)
15. Align and install the connectors cover. Make sure to push the connectors cover firmly until it clicks into place. (a)



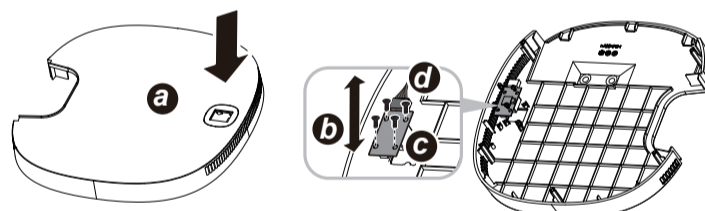
iButton Identification Reader

- I. Peel off the Mylar sheet, then disassemble the iButton module kit. Reassemble the kit as shown. (a)
- Attach the iButton Signal Cable (red) to the end of the iButton using a soldering iron. (a)
- Attach the iButton Grounding Cable (black) to the washer using a soldering iron. (a)
- II. Attach the iButton module kit onto the top stand cover, as shown. (b)
- III. Affix the iButton Controller Board to the bottom side of the top stand cover using the PE foam sticker, as shown. (c)
- IV. Connect the iButton Signal Cable to the 2-pin connector on the Board, as shown. (d)
- V. Connect the iButton Interface Cable to 5-pin connector on the Board, as shown. (e)



Fingerprint Identification Reader

- I. Affix the Mylar sheet onto the top stand cover, as shown. (a)
- II. Attach the reader module, with sensor area downward, to the top stand cover, as shown. (b)
- III. Secure the module with four screws (T2.5*6), as shown. (c)
- IV. Connect the module's USB Interface Cable to the 5-pin connector on the Board, as shown. (d)



RFID Identification Reader

- I. Affix the Mylar sheet onto the top stand cover, as shown. (a)
- II. Attach the reader module, with sensor area downward, to the top stand cover, as shown. (b)
- III. Secure the module with three screws (T2.5*6), as shown. (c)
- IV. Connect the module's USB Interface Cable to the 5-pin connector on the Board, as shown. (d)



Installing the Printer (Optional)

1. Remove the connectors cover. (a)
2. Connect one end of the power cable to the DC 24V jack. Then connect one end of the USB or RS232 cable to its respective port on the printer. (b)
3. Place the printer underneath the stand arm as shown in the illustration. (c)
4. Connect the other end of the power cable to the DC OUT jack. Then connect the other end of the USB or RS232 cable to its respective port on the Touch Terminal. (d)
5. Align and install the printer cover. Make sure to push the printer cover firmly until it clicks into place. (e)

